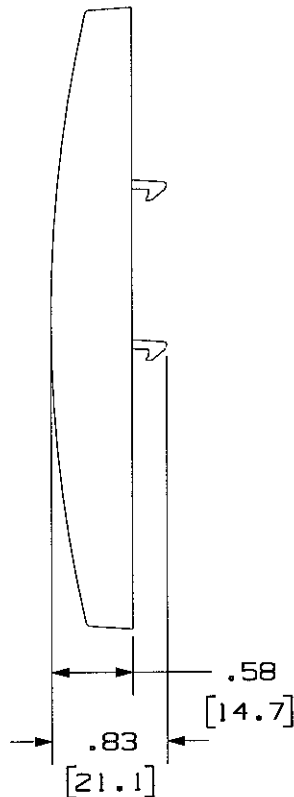
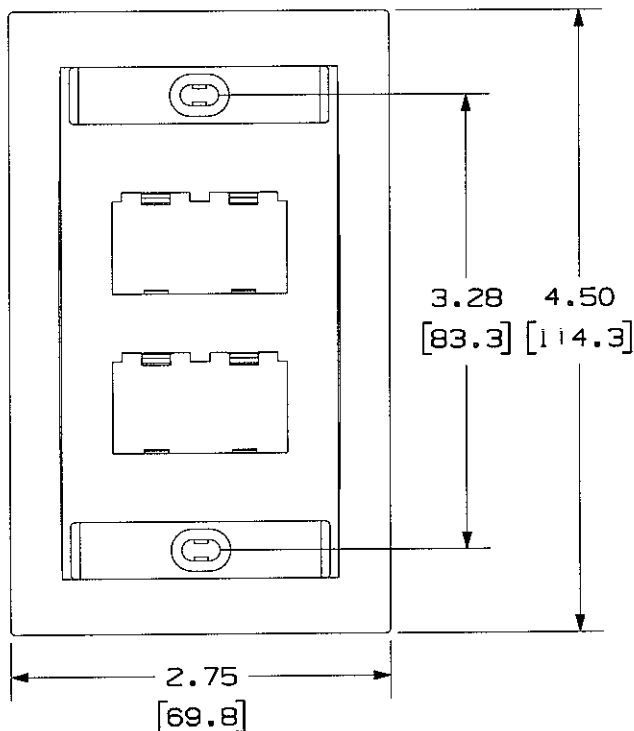


THIS COPY IS PROVIDED ON A RESTRICTED BASIS AND IS NOT TO BE USED IN ANY WAY DETRIMENTAL TO THE INTERESTS OF PANDUIT CORP.

PANDUIT P/N	WEIGHT
CFKE4A5U5J3AMA	1.04 LB/10 PCS (471.7 g/10 PCS)



NOTES:

- SEE CURRENT CATALOG FOR ADDITIONAL PART NUMBER SUFFIXES TO INDICATE COLOR AND OR PACKAGE QUANTITY.
- SEE CATALOG FOR COMPLETE LIST OF PARTS APPLICABLE FOR USE WITH THIS PART.
- DIMENSIONS IN [ ] ARE IN METRIC.
- PART INCLUDES:
  - 1- FACEPLATE (1W)
  - 2- LABEL
  - 2- LABEL COVER
  - 2- MOUNTING SCREW
  - 1- MINI-COM TX5e JACK MODULE (CJ5E88TGBU)
  - 1- MINI-COM TX5e JACK MODULE (CJ5E88TGOR)
  - 1- MINI-COM MINI JACK CATEGORY 3 JACK MODULE (CJ66UIWY)
  - 1- MINI-COM BLANK MODULE (CMB1W)

DRAWING FILENAME	M00741NI_DC127_00A.PRT	SIZE	A
------------------	------------------------	------	---

MINI-COM 4 POSITION EXECUTIVE SERIES  
FACEPLATE KIT CUSTOMER DRAWING

<p>PANDUIT<sup>TM</sup> CORP. TINLEY PARK, ILL 60477</p> <p>ALL DIMENSIONS ARE GIVEN IN INCHES, UNLESS OTHERWISE SPECIFIED.</p> <p>DIMENSIONAL TOLERANCES ARE: (.X) ± .010(.3) (.XX) ± .03(.8) ANGLES ±</p> <p>THIRD ANGLE PROJECTION</p>	1:1 NUMBER	N/A
	PRODUCT SPEC	N/A
	WORK INSTRUCTION	N/A
	SCALE	NONE
DRAWN BY JsP	MATERIAL	ABS
DATE 10-4-06		PART NO. CFKE4A5U5J3AMA
CHK'D MAD		DRAWING NO. 00741-127

REV	DATE	BY	CHK	DESCRIPTION	ECN	R	CUST	SUP	OTH
R	10-4-06	JsP	MAD	RELEASED TO PRODUCTION	00741-127				